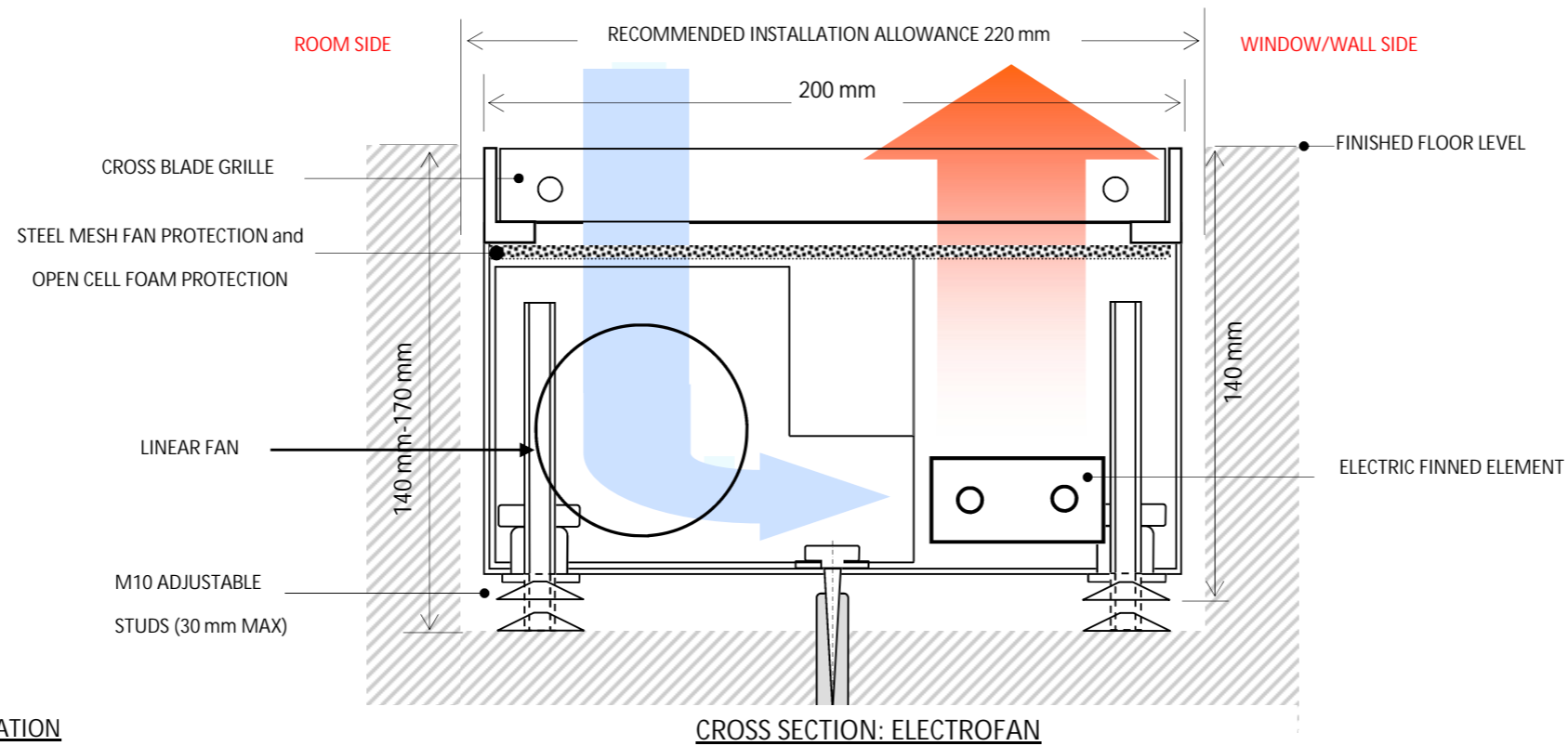


ELECTROFAN



SPECIFICATION

200 mm WIDE x 140 mm HIGH

SIEMENS CONTROLLER

600-1250 WATTS PER SINGLE UNIT

230 V SUPPLY

24 V DC FAN MOTOR

SAFETY CUT OUTS

VENTILATION MODE

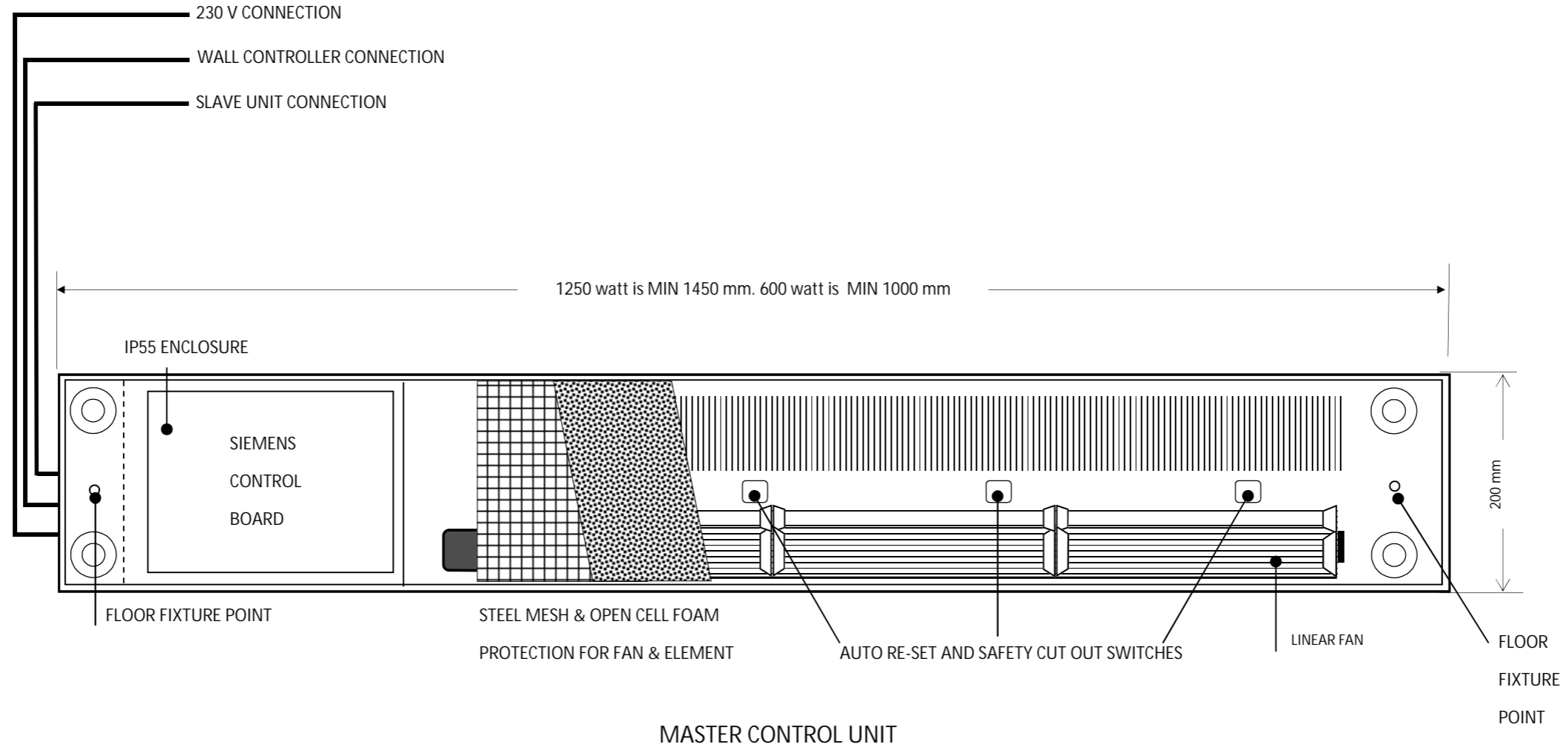
TEMPERATURE CONTROLLED

PROJECT REFERENCE	CLIENT REFERENCE
GRILLE	Natural Satin Anodised Aluminium
ANGLE	Natural Satin Anodised Aluminium
TRENCH: WIDTH x HEIGHT	200 mm x 140 mm



Unit 3, Pulloxhill Business Park
Greenfield Road Pulloxhill
Bedfordshire, MK45 5EU
Phone: 0044 (0) 1525 721431
Fax: 0044 (0) 1525 721428
Email: sales@trenchheating.com

ELECTROFAN



SPECIFICATION

200 mm WIDE x 140 mm HIGH

SIEMENS CONTROLLER

600-1250 WATTS PER SINGLE UNIT

230 V SUPPLY

24 V DC FAN MOTOR

SAFETY CUT OUTS

VENTILATION MODE

TEMPERATURE CONTROLLED

PROJECT REFERENCE	CLIENT REFERENCE
GRILLE	Natural Satin Anodised Aluminium
ANGLE	Natural Satin Anodised Aluminium
TRENCH: WIDTH x HEIGHT	200 mm x 140 mm



Unit 3, Pulloxhill Business Park

Greenfield Road Pulloxhill

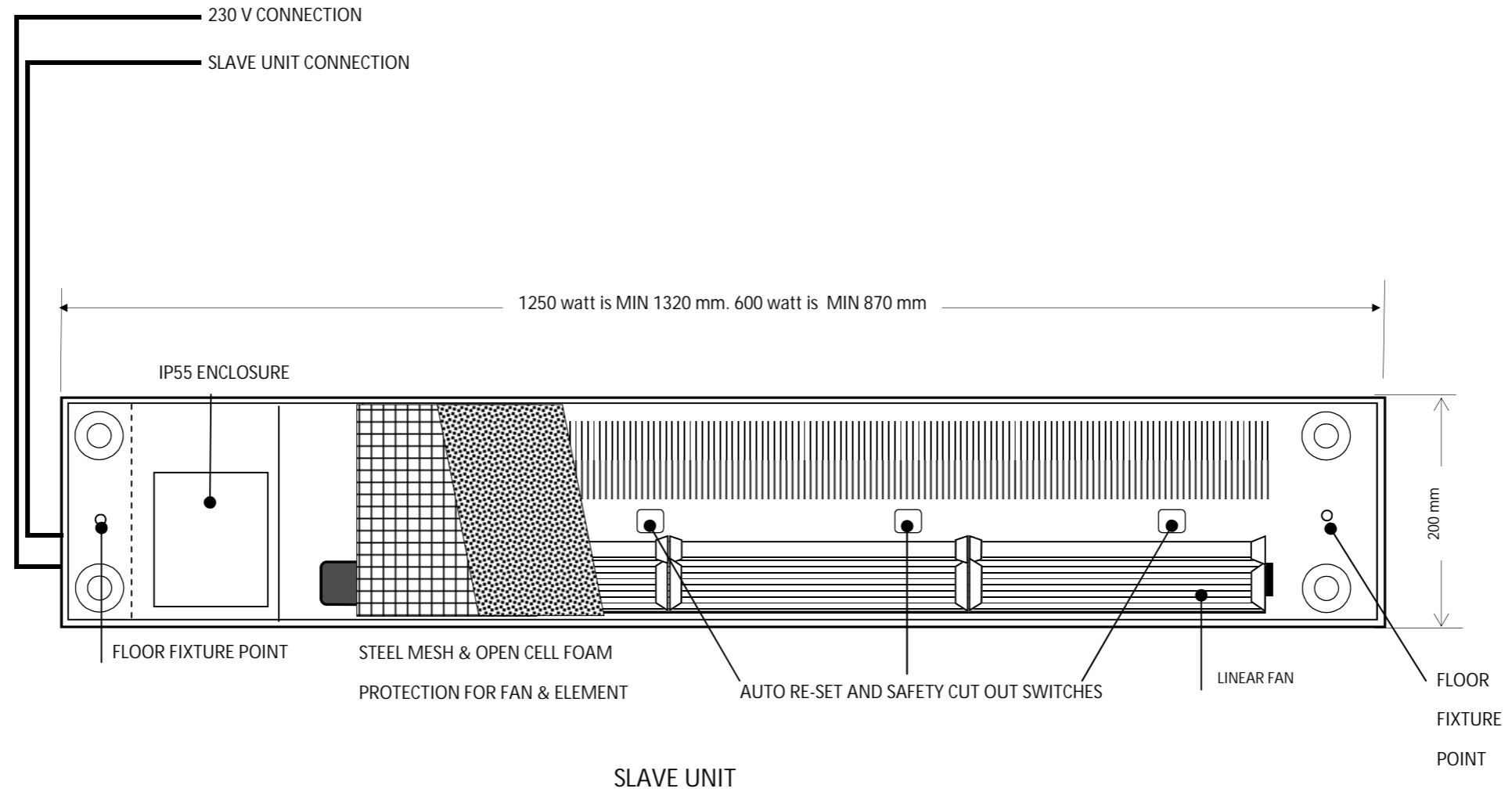
Bedfordshire, MK45 5EU

Phone: 0044 (0) 1525 721431

Fax: 0044 (0) 1525 721428

Email: sales@trenchheating.com

ELECTROFAN



SPECIFICATION

200 mm WIDE x 140 mm HIGH

SIEMENS CONTROLLER

600-1250 WATTS PER SINGLE UNIT

230 V SUPPLY

24 V DC FAN MOTOR

SAFETY CUT OUTS

VENTILATION MODE

TEMPERATURE CONTROLLED

PROJECT REFERENCE	CLIENT REFERENCE
GRILLE	Natural Satin Anodised Aluminium
ANGLE	Natural Satin Anodised Aluminium
TRENCH: WIDTH x HEIGHT	200 mm x 140 mm



Unit 3, Pulloxhill Business Park

Greenfield Road Pulloxhill

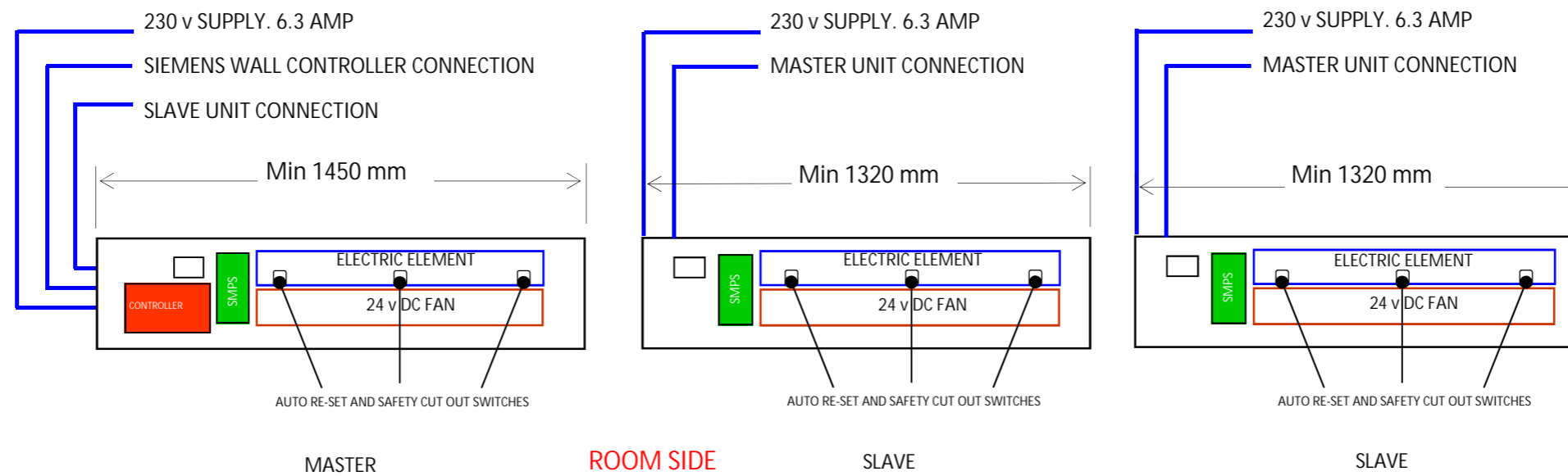
Bedfordshire, MK45 5EU

Phone: 0044 (0) 1525 721431

Fax: 0044 (0) 1525 721428

Email: sales@trenchheating.com

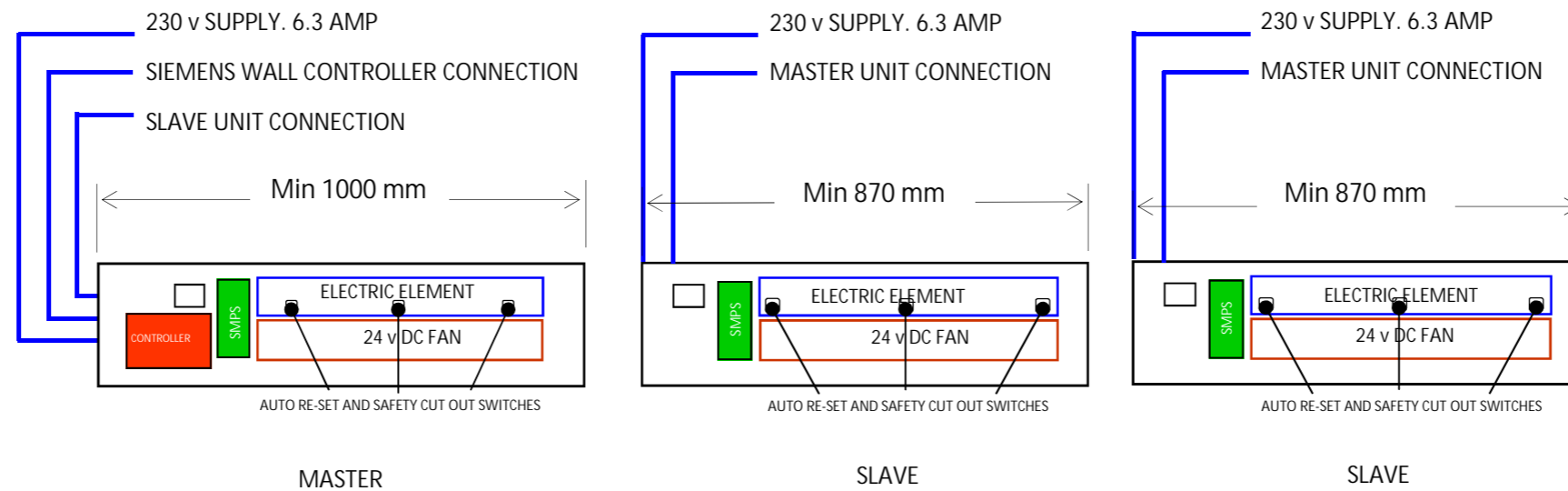
ELECTROFAN: 1250 watts per Element



Unit 3, Pulloxhill Business Park
Greenfield Road Pulloxhill
Bedfordshire, MK45 5EU
Phone: 0044 (0) 1525 721431
Fax: 0044 (0) 1525 721428
Email: sales@trenchheating.com

PROJECT REFERENCE	CLIENT REFERENCE
GRILLE	Natural Satin Anodised Aluminium
ANGLE	Natural Satin Anodised Aluminium
TRENCH: WIDTH x HEIGHT	200 mm x 140 mm

ELECTROFAN: 600 watts per Element



ROOM SIDE



Unit 3, Pulloxhill Business Park
Greenfield Road Pulloxhill
Bedfordshire, MK45 5EU
Phone: 0044 (0) 1525 721431
Fax: 0044 (0) 1525 721428
Email: sales@trenchheating.com

PROJECT REFERENCE	CLIENT REFERENCE
GRILLE	Natural Satin Anodised Aluminium
ANGLE	Natural Satin Anodised Aluminium
TRENCH: WIDTH x HEIGHT	200 mm x 140 mm