

TYPE: ET 1&2 : 100 mm High x 200 mm Wide

PROJECT REFERENCE	ELECTROTRENCH TECHNICAL DRAWINGS
GRILLE	Natural Satin Anodised Aluminium
ANGLE	Natural Satin Anodised Aluminium
TRENCH HEIGHT x WIDTH	(1.20m or 2.40m) x 100 mm x 200 mm

SPECIFICATION

NATURAL CONVECTION ELECTRIC HEATER

230 V SUPPLY. 600 Watts

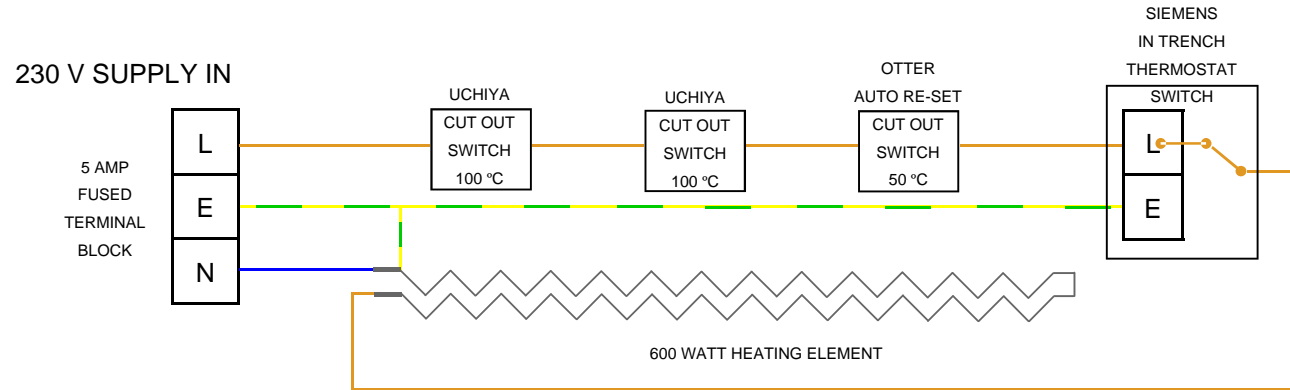
SAFETY CUT OUTS

IN TRENCH CONTROLLER TEMPERATURE CONTROLLED



Unit 3, Pulloxhill Business Park
 Greenfield Road Pulloxhill
 Bedfordshire, MK45 5EU
 Phone: 0044 (0) 1525 721431
 Fax: 0044 (0) 1525 721428
 Email: sales@trenchheating.com

WIRING DIAGRAM



TYPE: ET1 100 mm High x 200 mm Wide

PROJECT REFERENCE	ELECTROTRENCH TECHNICAL DRAWINGS
GRILLE	Natural Satin Anodised Aluminium
ANGLE	Natural Satin Anodised Aluminium
TRENCH HEIGHT x WIDTH	1.20m x 100 mm x 200 mm

SPECIFICATION

NATURAL CONVECTION ELECTRIC HEATER

230 V SUPPLY. 600 Watts

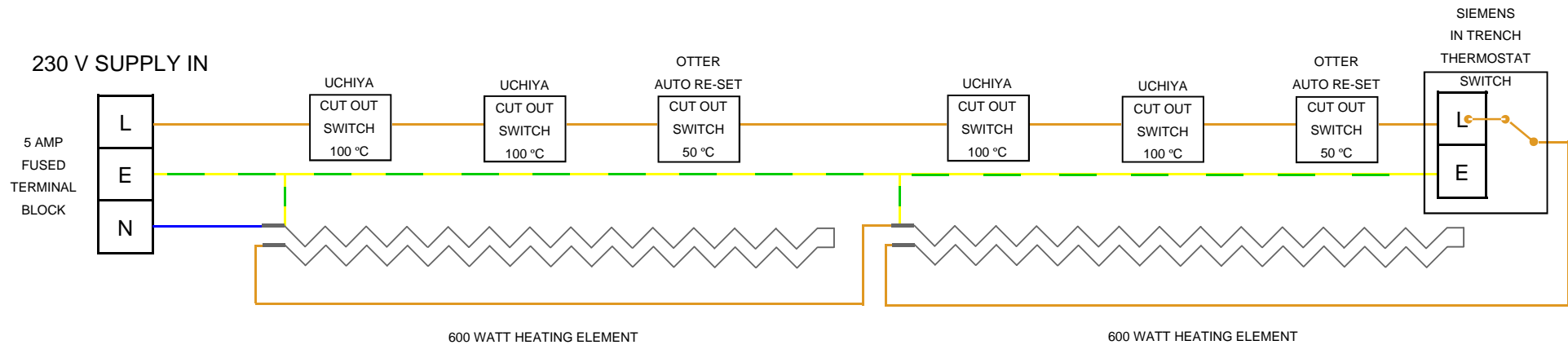
SAFETY CUT OUTS

IN TRENCH CONTROLLER TEMPERATURE CONTROLLED



Unit 3, Pulloxhill Business Park
 Greenfield Road Pulloxhill
 Bedfordshire, MK45 5EU
 Phone: 0044 (0) 1525 721431
 Fax: 0044 (0) 1525 721428
 Email: sales@trenchheating.com

WIRING DIAGRAM



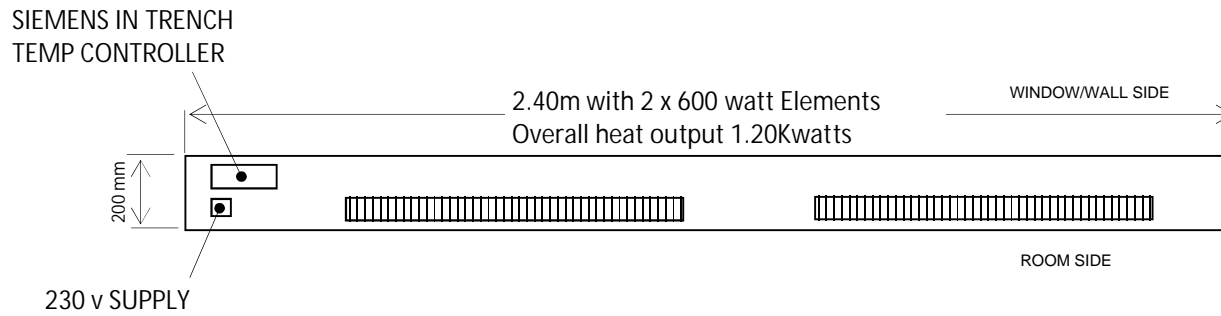
TYPE: ET2 100 mm High x 200 mm Wide



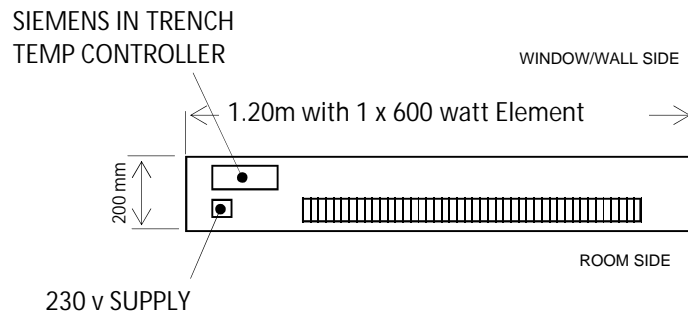
PROJECT REFERENCE	ELECTROTRENCH TECHNICAL DRAWINGS
GRILLE	Natural Satin Anodised Aluminium
ANGLE	Natural Satin Anodised Aluminium
TRENCH HEIGHT x WIDTH	2.40m x 100 mm x 200 mm

SPECIFICATION
 NATURAL CONVECTION ELECTRIC HEATER
 230 V SUPPLY. 2 x 600 Watt Elements
 SAFETY CUT OUTS
 IN TRENCH CONTROLLER TEMPERATURE CONTROLLED

Unit 3, Pulloxhill Business Park
 Greenfield Road Pulloxhill
 Bedfordshire, MK45 5EU
 Phone: 0044 (0) 1525 721431
 Fax: 0044 (0) 1525 721428
 Email: sales@trenchheating.com



Type : ET 2



Type : ET 1

PROJECT REFERENCE	ELECTROTRENCH TECHNICAL DRAWINGS
GRILLE	Natural Satin Anodised Aluminium
ANGLE	Natural Satin Anodised Aluminium
TRENCH HEIGHT x WIDTH	(1.20m or 2.40m) x 100 mm x 200mm

SPECIFICATION

NATURAL CONVECTION ELECTRIC HEATER

230 V SUPPLY. 600 Watts per Element

SAFETY CUT OUTS

IN TRENCH CONTROLLER TEMPERATURE CONTROLLED



Unit 3, Pulloxhill Business Park
Greenfield Road Pulloxhill
Bedfordshire, MK45 5EU
Phone: 0044 (0) 1525 721431
Fax: 0044 (0) 1525 721428
Email: sales@trenchheating.com